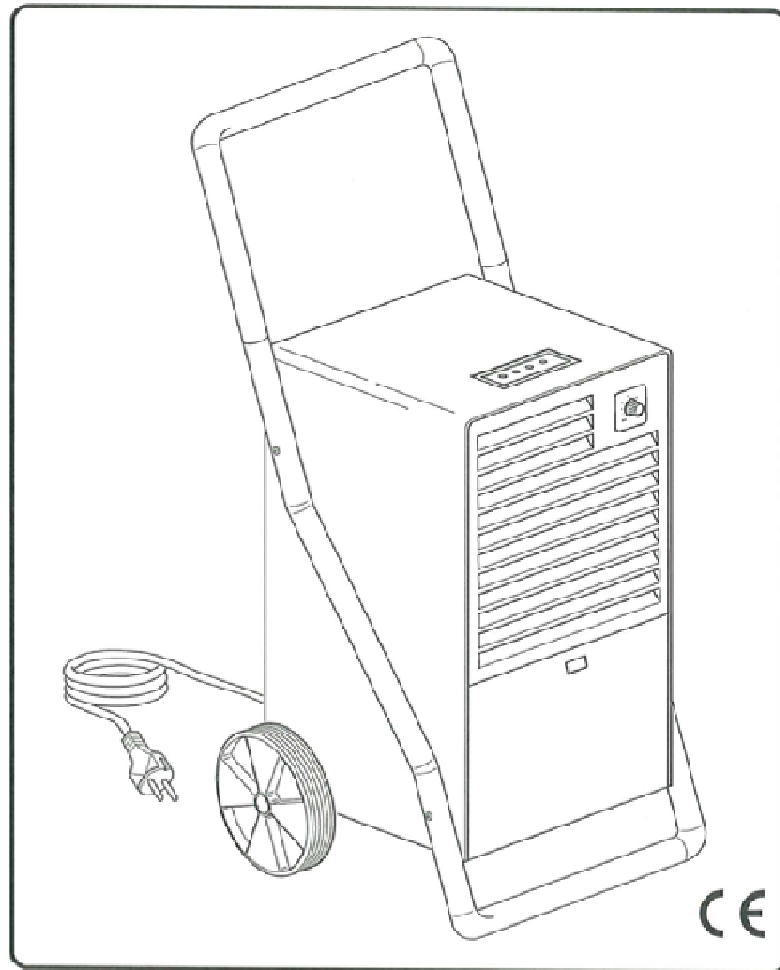


KGK

- Der er kvalitet til forskel

DEHUMIDIFIERS



GB

MASTER P33 SH
SPARE PARTS DISASSEMBLY

SPARE PARTS DISASSEMBLY

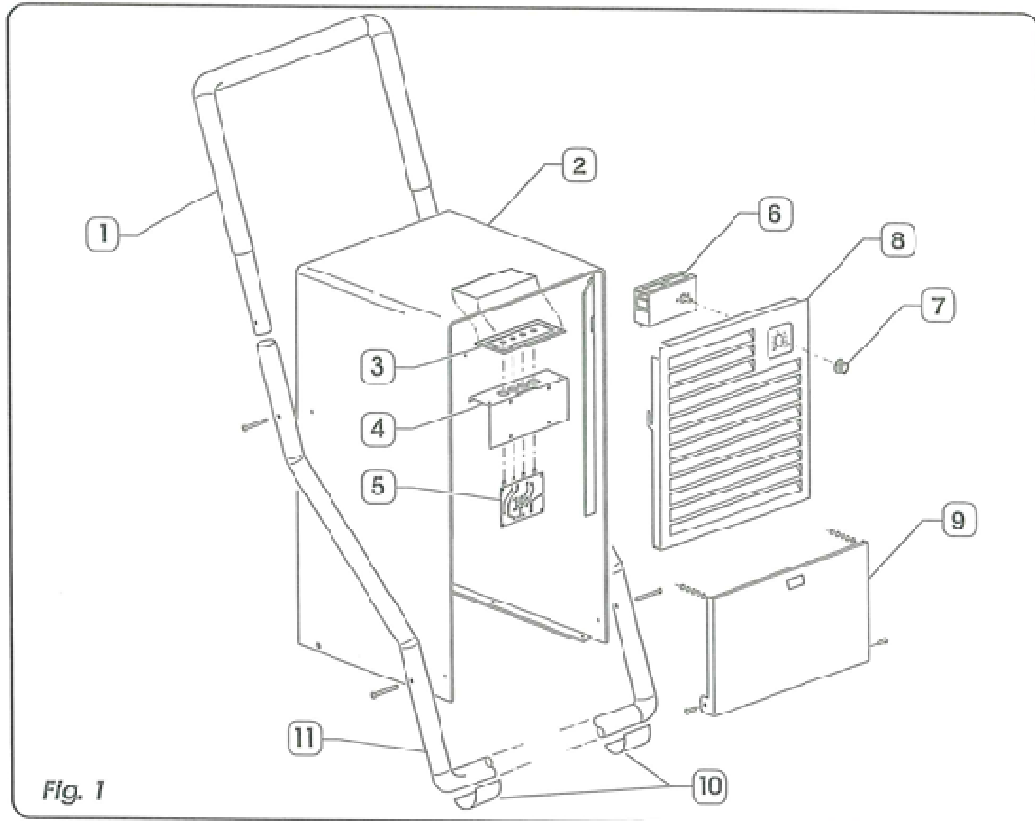


Fig. 1

Pos.	Description	Q.ty	Pos.	Description	Q.ty
1	Handle	1	21	Water tray conveyor	1
2	Metal cover	1	22	Compressor starting group	1
3	Control panel With silkscreen printing	1	23	Compressor	1
4	Support pcb	1	24	Float with tank	1
5	PCB	1	25	Tank	1
6	Dehumidostat	1	26	Fitting for waste pipe	1
7	Knob	1	27	Cable	1
8	Grille	1	28	Hour counter	1
9	Front door	1	29	Air Filter lock	1
10	Foot	1	30	Air filter	1
11	Pipe handle	1	31	Air Filter Holder	1
12	Top Tray	1	32	Support axil wheel	1
13	Evaporator	2	33	Axil wheel	1
14	Lower condensate collecting tray	1	34	Wheel	2
15	Microswitch with support	1	35	Cover	2
16	Condenser	1	36	Back panel	2
17	Impeller	1	37	Upper Bottom	1
18	Motorfan	2	38	Bottom fitting waste pie	1
19	Fan bracket	1	39	Risers	2
20	Refrigerant filter With capillary	1	40	Vertical panel	1
			41	Inside wiring	1

COMPONENTI PARTI DI RICAMBIO

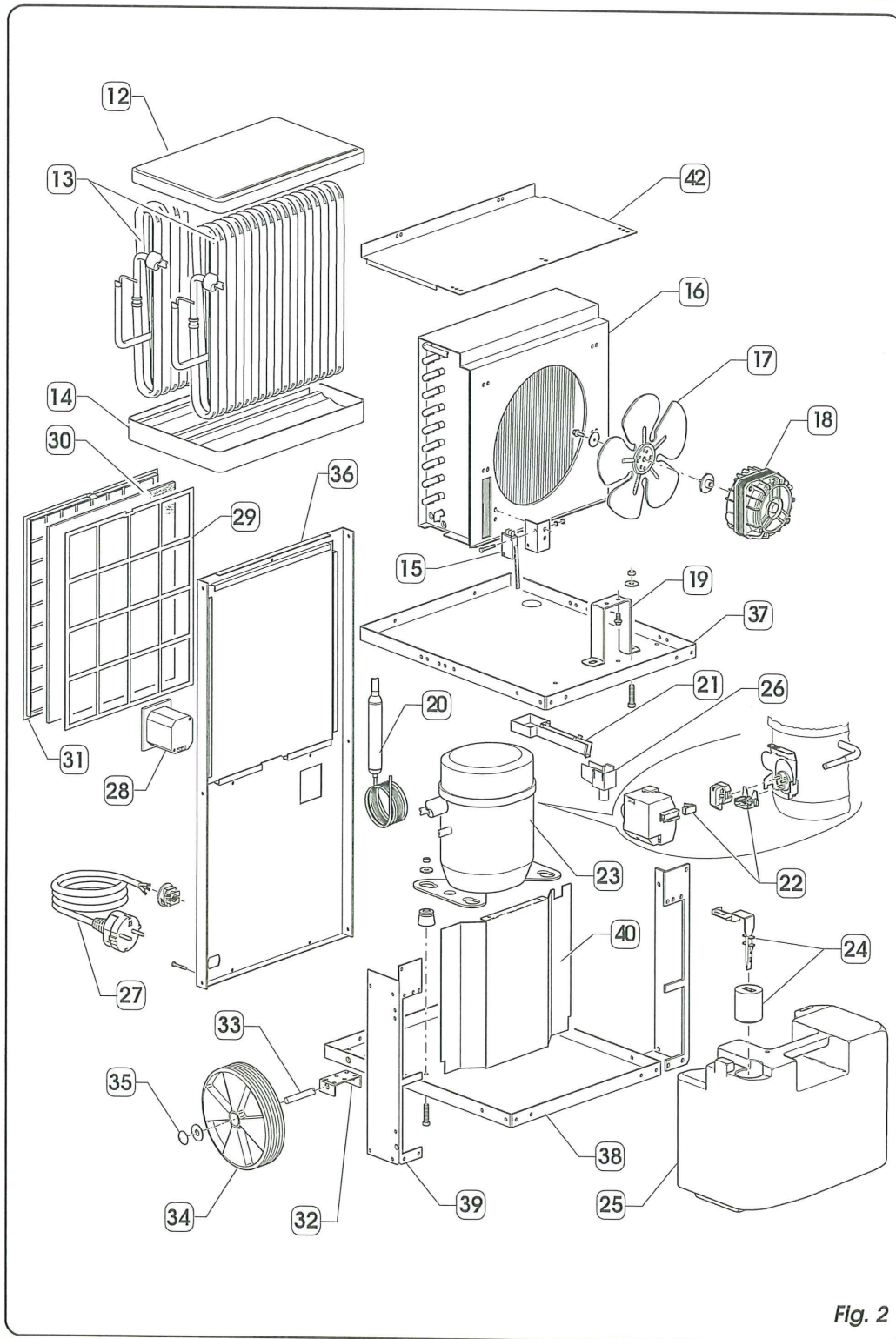


Fig. 2